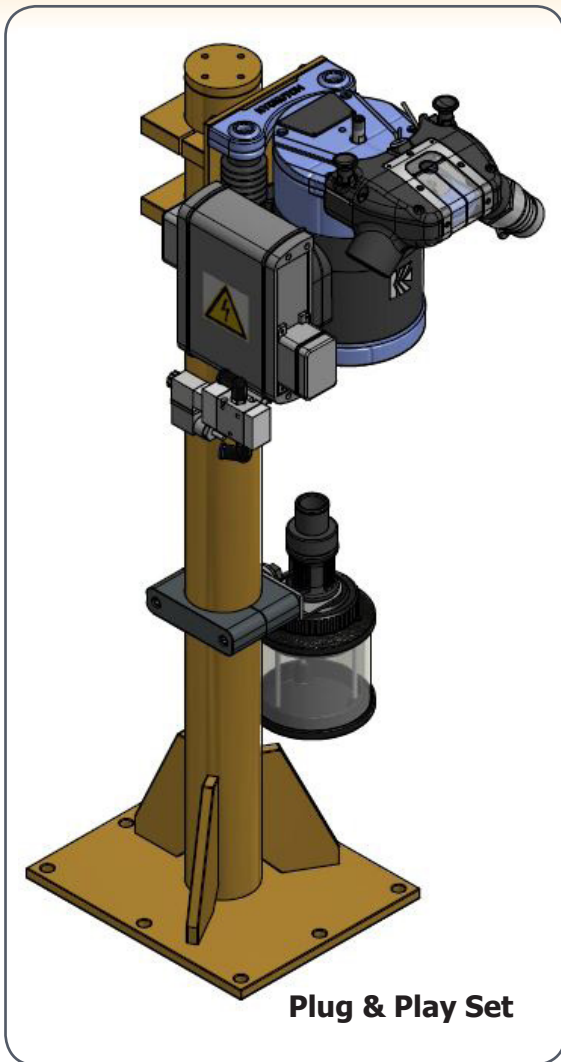


Automatic Tip Dresser

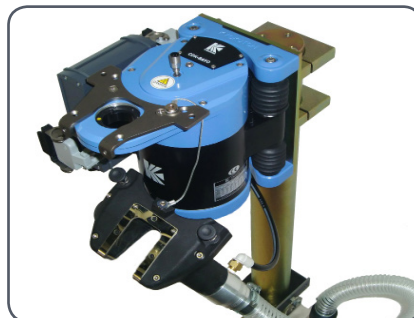
KE CDK- Bayo CVC Set Tip Dresser - Standard Set With Vacuum Device



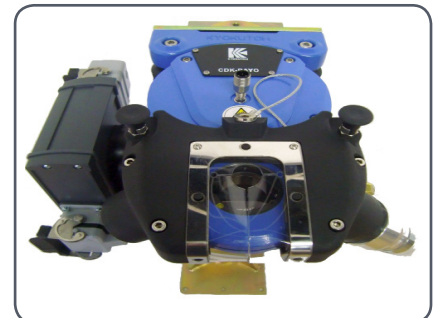
Kyokutoh's new plug and play set for efficient tip dressing comes as a complete set with vacuum device for chip extraction. This tip dresser set is very easy and quick to integrate and ensures great economic efficiency in your maintenance department. It has a compact design which is designed for intuitive operation, highest quality longevity, uncomplicated maintenance and reliable tip dressing even under the most challenging conditions.



Control Unit



Vacuum Device



Rotation Check