

Automatic Tip Dresser

KE CDK- Bayo CVC Set

 **KYOKUTOH CO.,LTD.**



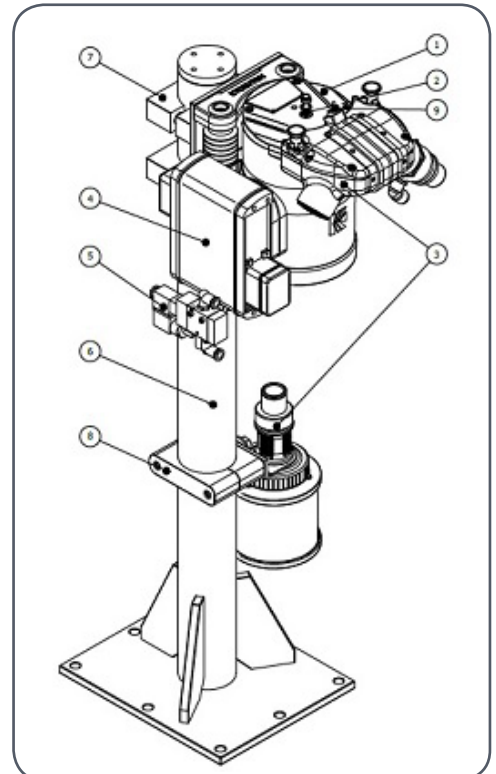
Before Placement



After Placement



Holder / Cutter



- Adopt one touch holder which does not require any tool.
- Simultaneous dressing the upper and lower electrodes enables to reduce dressing time and be always alignment of the face after dress.
- Balancer unit is a standard requirement, enables to reduce the load on the welding gun and the dresser.
- Dresser with built-in rotation confirmation function by proximity sensor. (Option)
- Splash proof construction for terminal box.
- High torque, high-speed rotation. (1 sec, dressing)
- Cutter dress upper and lower electrode simultaneously ensuring tip face alignment and its life span is long.