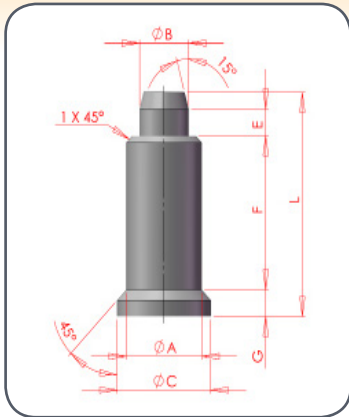
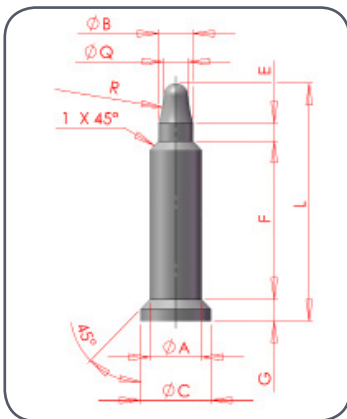


Ceramic Coated Steel Location Pins

Long Series



Castellated Type



Dolphin Type

Part No Dolphin	Part No Cast'd	Nut Size	Hole Dia	Dia A	Dia B	Dia C	Dia E	Dia F	Dia G	Dia L	Dia Q	Rad R
	CPM3C	M3	4.0	3.85	2.4	8.0	1.7	23.0		30.2		
CP1		M4	5.0	4.85	3.2	10.0	2.0	22.0	4.0	31	2.5	9.0
CP2		M4	6.0	5.85	3.2	10.0	2.0	22.0	4.0	31	2.5	9.0
CP30		M4	6.65	6.5	3.2	10.0	2.0	22.0	4.0	31	2.5	9.0
	CP11C	M4	7.0	6.85	3.2	10.0	1.7	23.0	4.0	30.2		
CP43		M5	5.5	5.35	4.1	10.0	2.5	22.0	4.0	32	3.0	13.3
CP3		M5	6.0	5.85	4.1	10.0	2.5	22.0	4.0	32	3.0	13.3
CP3-6		M5	6.1	5.95	4.1	10.0	2.5	22.0	4.0	32	3.0	13.3
CP4		M5	7.0	6.85	4.1	10.0	2.5	22.0	4.0	32	3.0	13.3
	CP70C	M5	7.5	7.35	4.1	10.0	2.0	23.0	4.0	30.5		
	CP41C	M6	9.65	9.5	4.9	10.0	2.5	23.0	4.0	31.5		
CP21		M6	6.5	6.35	4.9	10.0	2.5	22.0	3.0	32.0	3.5	15.5
CP5		M6	7.0	6.85	4.9	10.0	2.5	22.0	3.0	32.0	3.5	15.5
	CP34C	M6	7.1	7.05	4.9	10.0	2.5	23.0	3.0	32.0		
CP5-7		M6	7.1	6.95	4.9	10.0	2.5	22.0	3.0	35.0	3.5	15.5
	CP5-7C	M6	7.1	6.95	4.9	10.0	2.5	22.0	3.0	31.5		
CP19		M6	7.5	7.35	4.9	10.0	2.5	22.0	3.0	33.0	3.5	15.5
CP6		M6	8.0	7.85	4.9	10.0	2.5	22.0	3.0	33.0	3.5	15.5
	CP72C	M6	8.25	8.15	4.9	12.0	2.5	23.0	4.0	31.5		
	CP67C	M6COLL	8.7	8.55	4.9	12.0	4.0	23.0	4.0	31.5		
	CP71C	M6	9.0	8.85	4.9	12.0	2.5	23.0	4.0	31.5		
	CP17C	M6 COLL	10.0	9.8	4.9	16.0	2.5	23.0	4.0	31.5		
CP23		M6 TLESS	7.0	6.84	5.25	12.0	2.5	22.0	3.0	32.0	3.5	15.5
	CP14C	M6 TLESS	7.5	7.35	5.25	12.0	2.5	23.0	4.0	31.5		
CP31		M8	8.5	8.35	6.6	12.0	3.5	23.0	3.0	34.0	5.0	17.5
	CP49C	M8	8.75	8.6	6.6	12.0	3.5	23.0	4.0	32.5		
CP7		M8	9.0	8.85	6.6	12.0	3.0	23.0	3.0	34.0	5.0	17.5
	CP7C	M8	9.0	8.85	6.6	12.0	3.0	23.0	4.0	32.5		
CP7-9		M8	9.1	8.95	6.6	12.0	3.0	24.0	3.0	39	4.0	32.5
CP16		M8	9.5	9.35	6.6	12.0	3.0	23.0	3.0	34.0	5.0	17.5
CP8		M8	10.0	9.85	6.6	12.0	3.0	23.0	3.0	34.0	5.0	17.5
CP8-10		M8	10.1	9.95	6.6	12.0	3.0	23.0	3.0	34.0	5.0	17.5
CP22		M8	10.5	10.35	6.6	12.0	3.0	23.0	3.0	34.0	5.0	17.5
	CP66C	M8	11.0	10.85	6.6	16.0	3.5	23.0	4.0	32.5		
	CP73C	M8	11.2	11.05	6.6	16.0	3.5	23.0	4.0	32.5		
	CP50C	M8 TLESS	8.75	8.6	7.25	12.0	3.5	23.0	4.0	32.5		
CP24		M8 TLESS	9.0	8.84	7.25	12.0	3.0	23.0	3.0	34.0	5.0	17.5
	CP13C	M8 TLESS	9.5	9.35	7.25	12.0	3.5	23.0	4.0	32.5		
	CP25C	M8 TLESS	10.0	9.84	7.25	15.0	3.5	23.0	4.0	32.5		
	CP63C	M8 TLESS	11.25	11.1	7.25	15.0	3.5	23.0	4.0	32.5		
	CP75C	M8 TLESS	13.0	12.85	7.25	15.0	3.5	23.0	4.0	32.5		
CP42-11.2		M8 COLL	11.3	11.2	6.6	15.0	3.5	24.0	3.0	32.5	7.0	30.5
CP42		M8 COLL	12.2	12.05	6.6	15.0	3.5	24.0	3.0	37.0	7.0	30.5
CP9		M10	11.0	10.85	8.33	15.0	4.0	24.0	3.0	37.0	7.0	30.5
	CP9C	M10	11.0	10.85	8.33	15.0	4.0	24.0	3.0	33.5		
CP20		M10	11.5	11.35	8.33	15.0	4.0	24.0	3.0	37.0	7.0	30.5
	CP44C	M10	11.7	11.55	8.33	15.0	4.0	23.0	4.0	33.5		
CP10		M10	12.0	11.84	8.33	15.0	4.0	24.0	3.0	37.0	7.0	30.5
CP48		M10	12.2	12.1	8.5	16.0	4.0	24.0	3.0	37.0	7.0	30.5
	CP55C	M10	12.4	12.25	8.33	16.0	4.0	23.0	4.0	33.5		
	CP52C	M10	13.0	12.85	8.33	16.0	4.0	23.0	4.0	33.5		
	CP26C	M10 TLESS	11.0	10.74	8.95	16.0	4.0	23.0	4.0	33.5		
	CP27C	M10 TLESS	11.5	11.35	8.95	16.0	4.0	23.0	4.0	33.5		
	CP56C	M10 TLESS	12.0	11.85	8.95	16.0	4.0	23.0	4.0	33.5		
	CP62C	M10 TLESS	13.15	13.05	9.15	16.0	4.0	23.0	4.0	33.5		
	CP53C	M10COL	14.5	14.35	8.33	16.0	4.0	23.0	4.0	33.5		
	CP61C	M12	13.0	12.85	10.05	16.0	5.0	23.0	5.0	34.5		
CP47		M12F	13.0	12.85	10.4	16.0	4.0	23.0	5.0	39.0	9.0	41.0
	CP69C	M12	14.0	13.85	10.05	16.0	5.0	23.0	5.0	34.5		
	CP51C	M12	15.5	15.35	10.05	18.0	7.0	23.0	4.0	30.0		
	CP28C	1/4UNF	8.0	7.85	5.35	12.0	3.5	23.0	4.0	32.5		
	CP29C	5/16UNF	8.7	8.55	6.75	16.0	3.5	23.0	4.0	32.5		
	CP59C	5/16UNF	8.95	8.8	6.75	16.0	3.5	23.0	4.0	32.5		
	CP64C	5/16UNFCOL	12.5	12.35	6.75	16.0	3.5	23.0	4.0	32.5		
CP12-173		M12F	13.2	13.05	10.5	16.5	6.0	24.0	3.0	37.0	9.0	41.0
CP12-175		M12F	13.4	13.2	10.5	16.5	5.0	24.0	3.0	34.5	9.0	41.0
CP15		7/16UNF	12.0	11.85	9.7	16.0	5.0	23.0	3.0	37.0	7.0	30.5
	CP76C	7/16UNF	12.6	12.4	9.7	16.0	5.0	23.0	4.0	34.5		
	CP77C	7/16UNF	13.0	12.85	9.7	16.0	5.0	23.0	4.0	34.5		
	CP54C	7/16COL	16.2	16.0	9.7	18.0	5.0	23.0	4.0	34.5		
	CP74C	M14	14.6	14.35	12.4	16.5	5.0	23.0	4.0	34.5		
	CP65C	3/8UNCCOL	14.5	14.35	7.9	16.0	5.0	23.0	4.0	33.0		