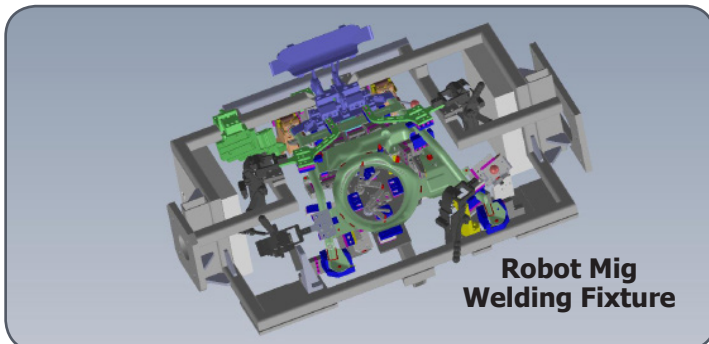
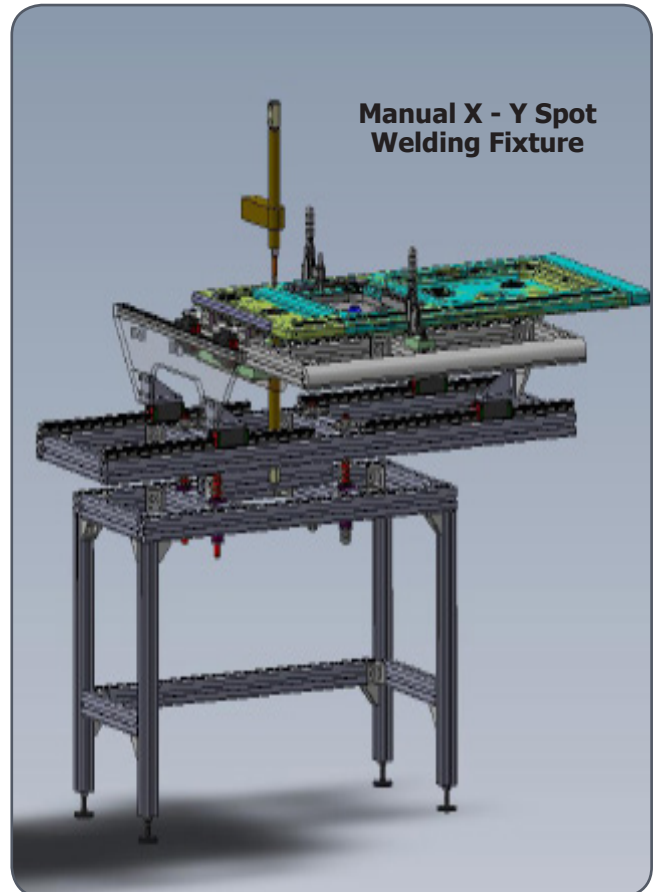
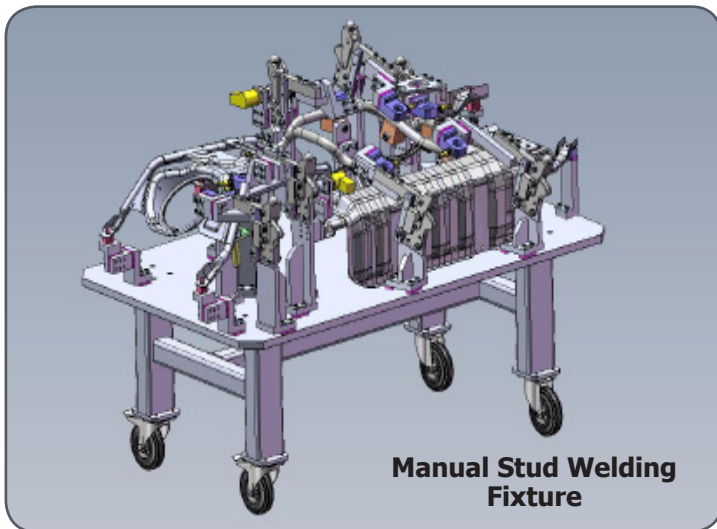
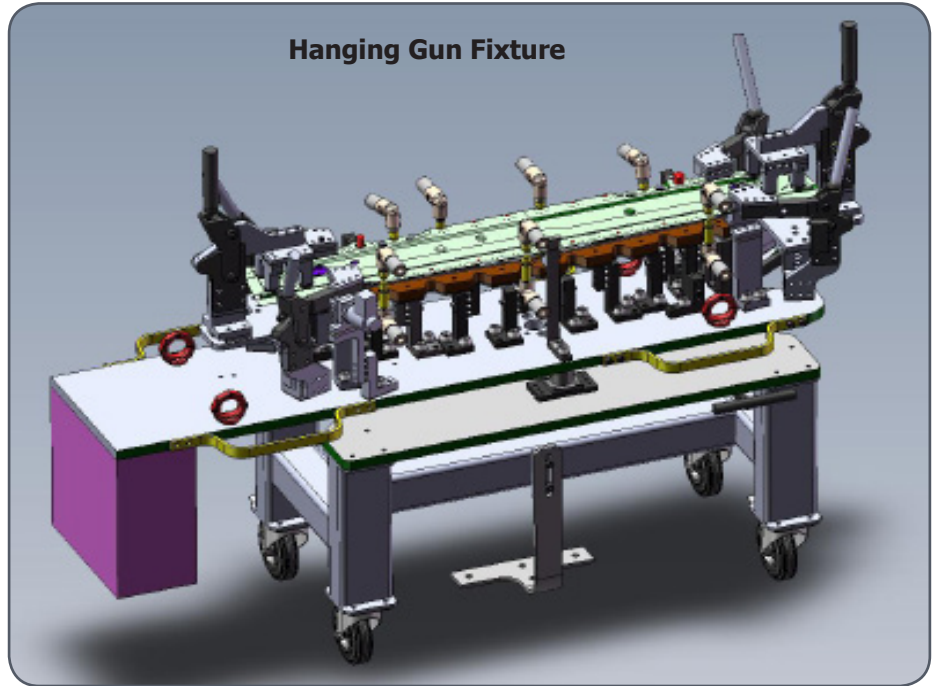
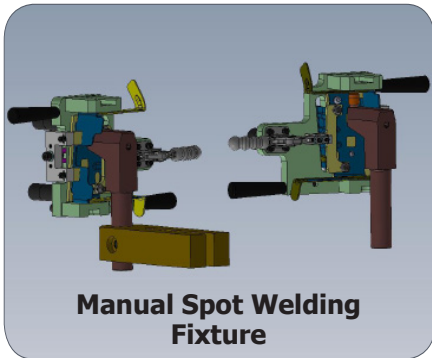


Prospot are able to design and manufacture welding fixtures for all types of welding applications including spot, projection, seam, mig, tig, capacitor discharge and other joining processes.



Prospot Limited – Unit C Riverside Industrial Estate
 Atherstone Street – Fazeley – Tamworth – Staffordshire – B78 3RW
 Telephone – 01827 254 829 Fax – 01827 254 832
 Email – sales@prospot.co.uk Web – www.prospot.co.uk